

Electric pump

EL150

PUMP SPECIFICATIONS	Mod. A	Mod. B
Capacity [m ³ /h - (USGPM)]	720 - (3168)	900 - (3960)
Head [m - (ft)]	22 - (72)	18 - (59)
Impeller diameter [mm - (in)]/type	650 - (26)/2 blades closed	
Flanged bore size [DN.../PN... - (in)]	DN250/PN10 - (10)	DN300/PN10 - (12)
Cross section diameter [mm - (in)]	120 - (4.8)	
Weight (without cable) [kg - (lbs)]	4520 - (9944)	4570 - (10054)

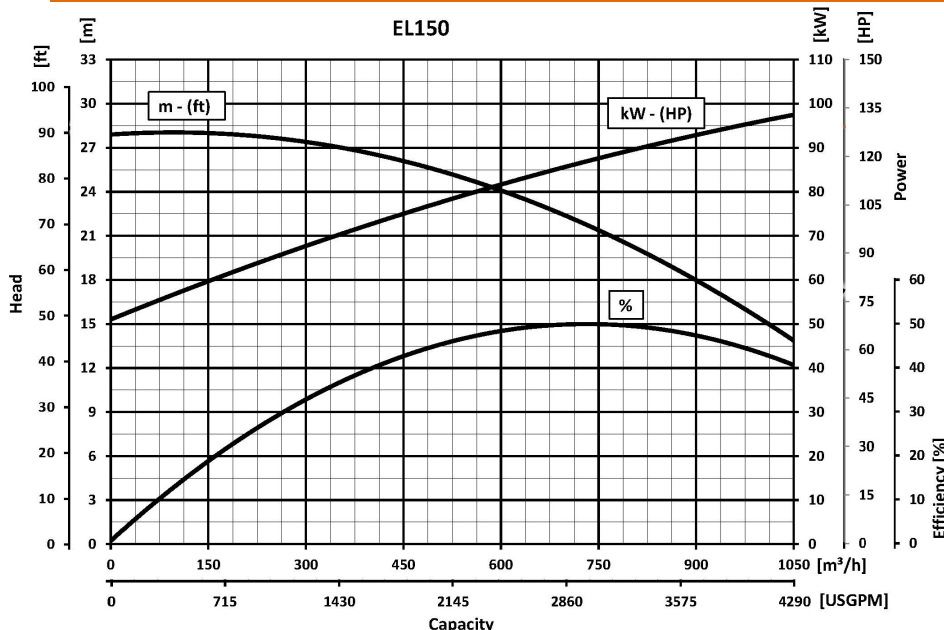
ELECTRIC MOTOR	
Power [kW-HP]	110-150
Voltage [V]/Current [A]	460/190
Phases/Poles/Frequency [Hz]	3/10/60
Speed [RPM]	720
Insulation class	H
Power cable 20m (IEC 60245- 4)	H07RN-F 4G95

MATERIALS	
Casing	Spheroidal cast iron EN-GJS-500-7 (EN 1563)
Motor housing	Cast iron EN-GJL-250 (EN 1561)
Wear parts	High chrome EN-GJN-HV600 (XCr18) (EN 12513)
Main shaft	High tensile steel 39NiCrMo3 (AISI 9840)

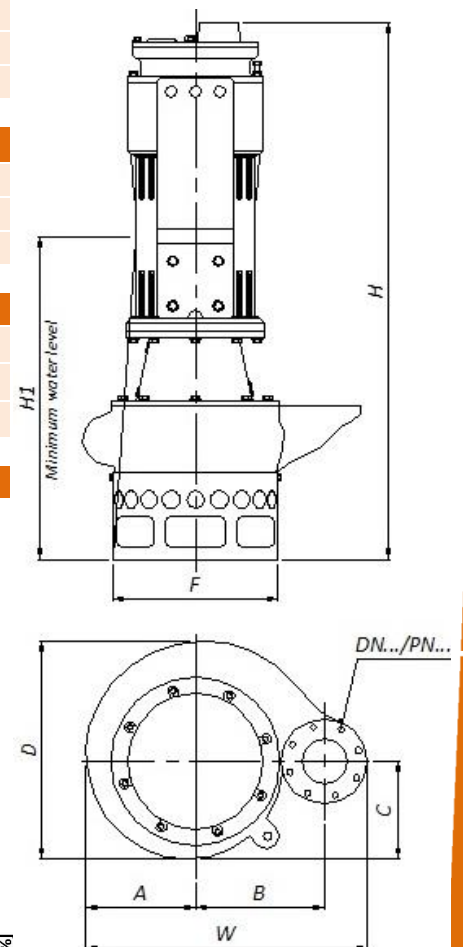
SEALS / LUBRICANT	
Motor side seals	3 lip seals (2 BUNA + 1 PTFE)
Impeller side seals	5 lip seals (3 BUNA + 2 PTFE)
Oil type	ISO 320

DIMENSIONS [mm - (in)]							
H	W	D	F	H1	A	B	C
2650	1595	1360	1015	1800	650	750	600
(106)	(63.8)	(54.4)	(40.6)	(72)	(26)	(30)	(24)

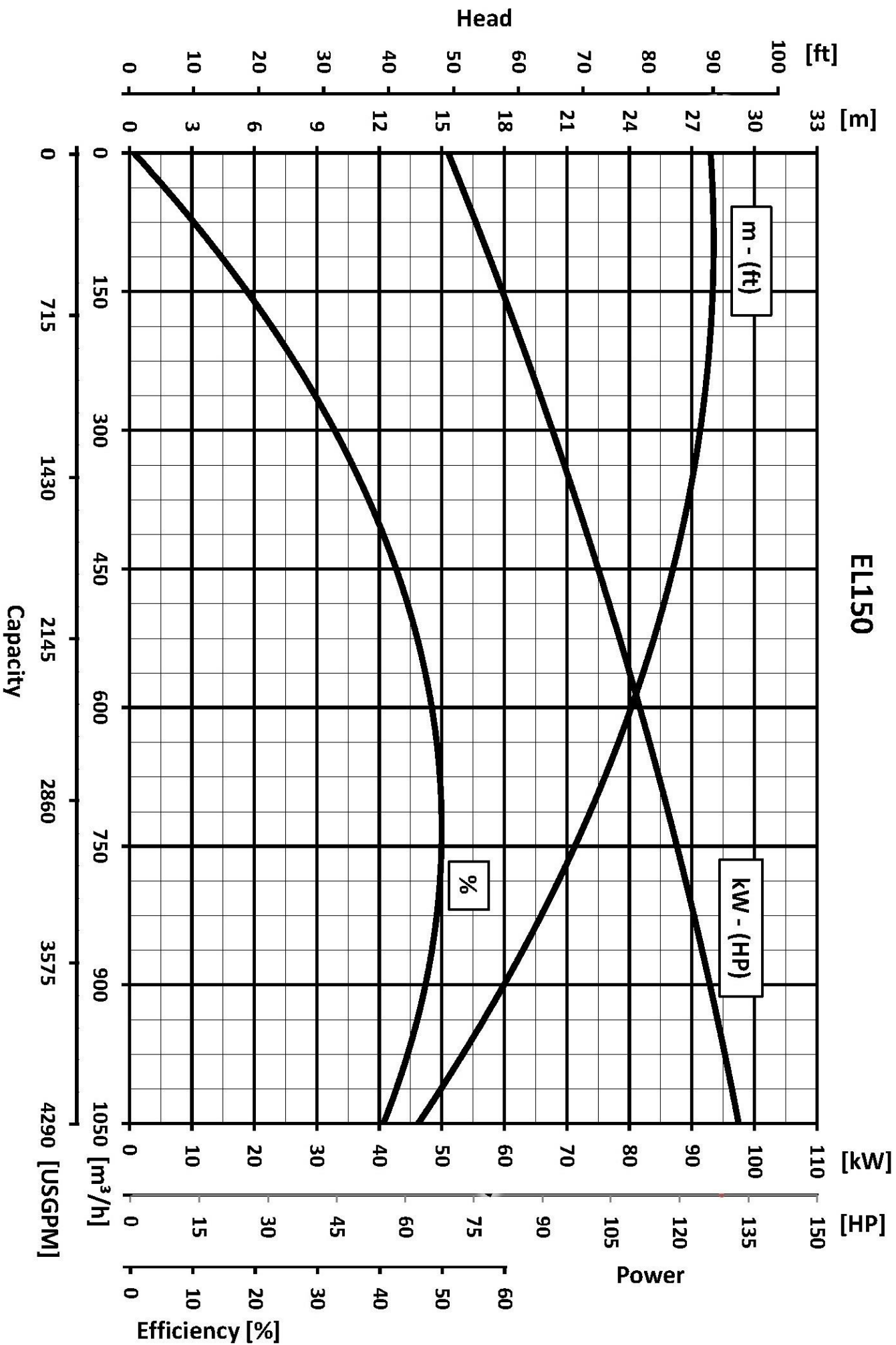
PERFORMANCE CURVES



We reserve the right to make changes without notice



EL150



We reserve the right to make changes without notice