

# Electric pump

## EL300

### PUMP SPECIFICATIONS

Max Capacity [m <sup>3</sup> /h]	1500
Max Head [m]	46
Impeller diameter [mm]/type	760 /2 blades closed
Flanged bore size [DN/PN]	DN250/PN10
Solid handling [mm]	120
Weight [kg]	6000

### ELECTRIC MOTOR

Power [kW - HP]	240-325
Voltage [V]/Current [A]	400 / 433
Phases/Poles/Frequency [Hz]	3 / 8 / 50
Speed [RPM]	745
Insulation class	H
Power cable 20 m (IEC 60245-4)	2 x H07RN-F 4G95

### MATERIALS

Casing	Spheroidal cast iron EN-GJS500-7 (EN1563)
Motor housing	Cast iron EN-GJL-250 (EN 1561)
Wear parts	High chrome EN-GJN-HV600 (XCr18) (EN12513)
Main shaft	High tensile steel 39NiCroMo3 (AISI 9840)

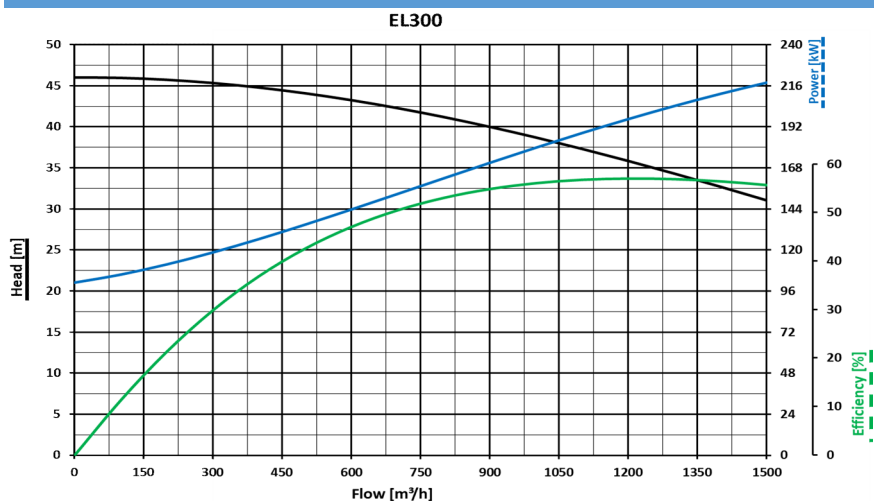
### SEALS / LUBRICANT

Motor side seals	3 lip seals (2 BUNA + 1 PTFE)
Impeller side seals	5 lip seals (3 BUNA + 2PTFE) + 1 V-ring (TPU)
Oil type	ISO 32

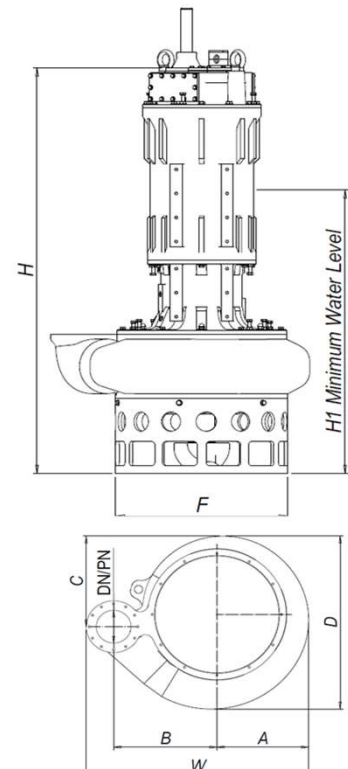
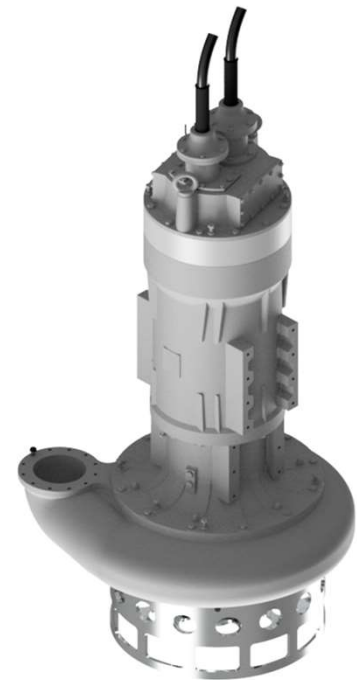
### DIMENSIONS [mm]

H	W	D	F	H1	A	B	C
3200	1630	1310	1015	2650	975	655	595

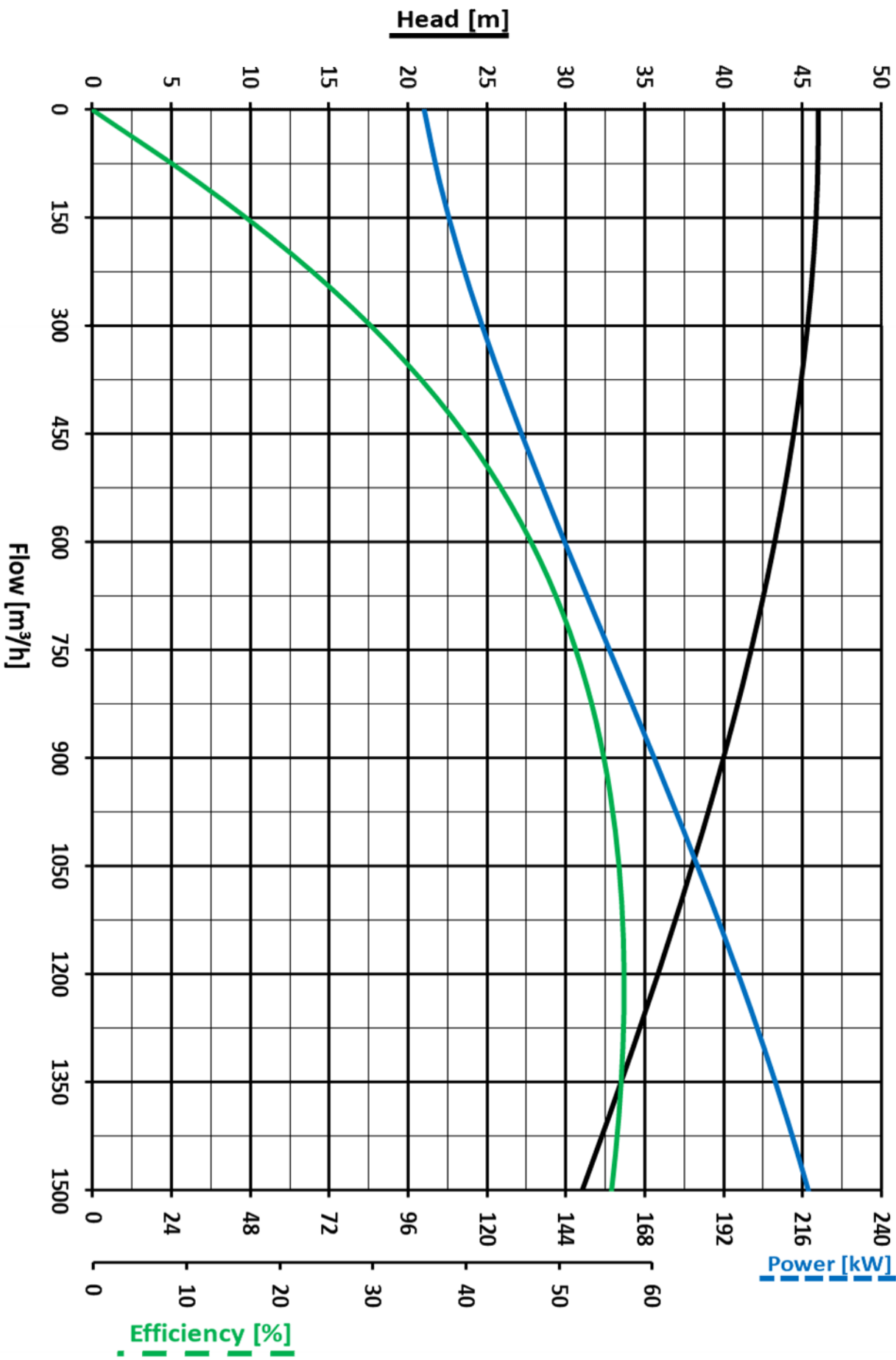
### PERFORMANCE CURVES



We reserve the right to make changes without notice



# EL300



We reserve the right to make changes without notice