

Electric pump

EL300

PUMP SPECIFICATIONS

| | |
|--|---------------------------|
| Max Capacity [m ³ /h - USGPM] | 1500 - 6600 |
| Max Head [m - ft] | 46 - 150 |
| Impeller diameter [mm - in]/type | 650 - 26 /2 blades closed |
| Flanged bore size [DN/PN - in] | DN200/PN10 - 10 |
| Solid handling [mm - in] | 120 - 5 |
| Weight [kg - lb] | 6000 - 13230 |

ELECTRIC MOTOR

| | |
|--------------------------------|------------------|
| Power [kW - HP] | 240-325 |
| Voltage [V]/Current [A] | 460 / 377 |
| Phases/Poles/Frequency [Hz] | 3 / 8 / 60 |
| Speed [RPM] | 890 |
| Insulation class | H |
| Power cable 20 m (IEC 60245-4) | 2 x H07RN-F 4G95 |

MATERIALS

| | |
|---------------|--|
| Casing | Spheroidal cast iron EN-GJS500-7 (EN1563) |
| Motor housing | Cast iron EN-GJL-250 (EN 1561) |
| Wear parts | High chrome EN-GJN-HV600 (XCr18) (EN12513) |
| Main shaft | High tensile steel 39NiCroMo3 (AISI 9840) |

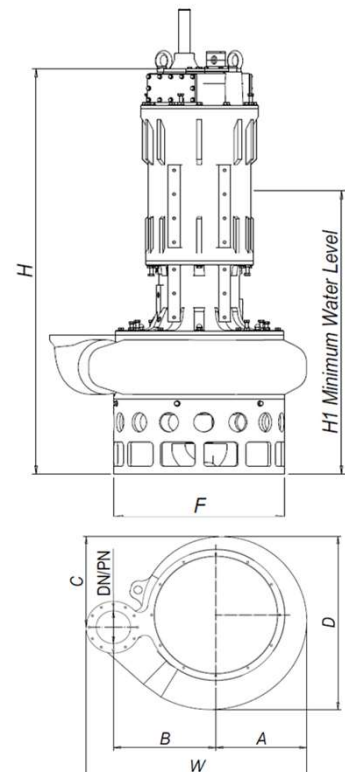
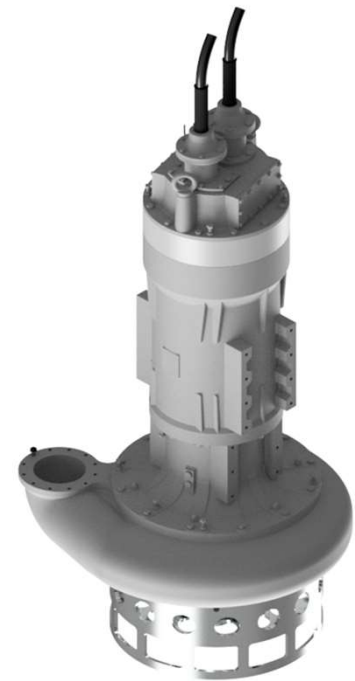
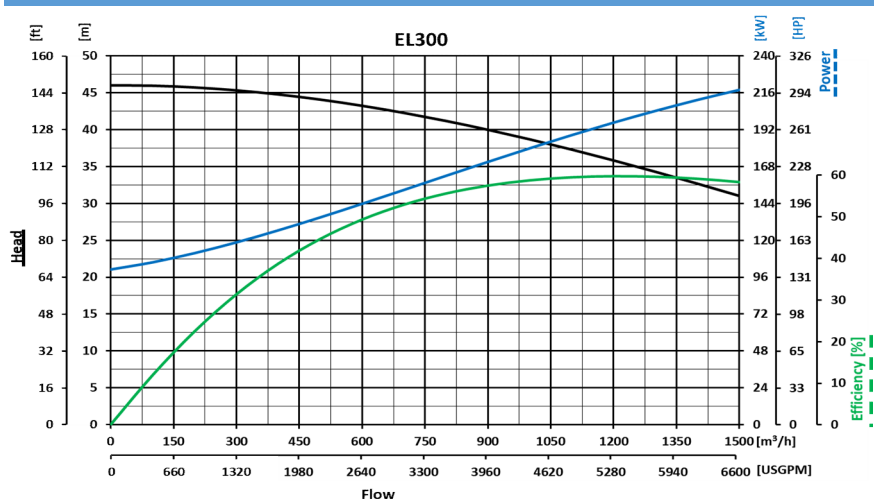
SEALS / LUBRICANT

| | |
|---------------------|---|
| Motor side seals | 3 lip seals (2 BUNA + 1 PTFE) |
| Impeller side seals | 5 lip seals (3 BUNA + 2PTFE) + 1 V-ring (TPU) |
| Oil type | ISO 32 |

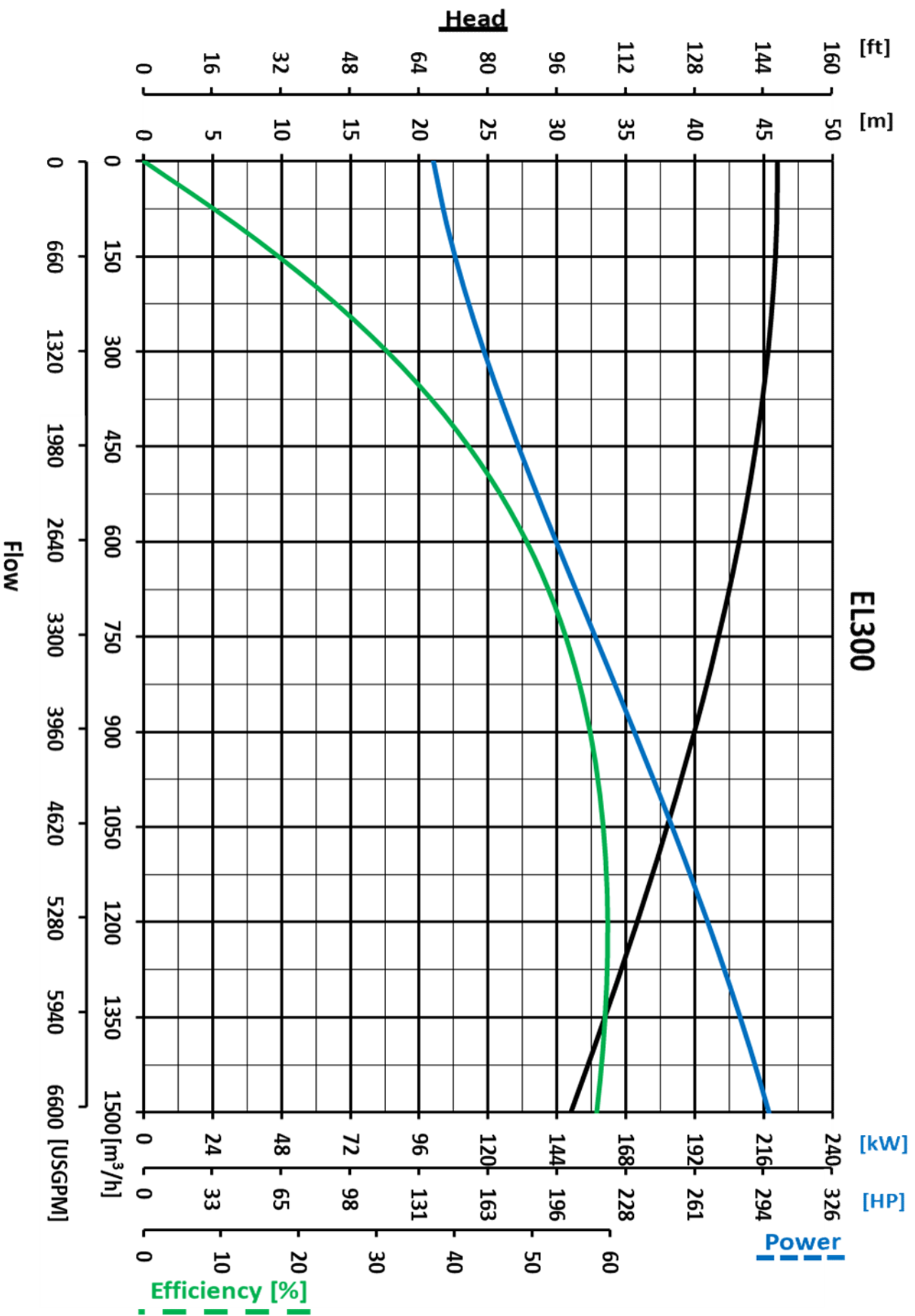
DIMENSIONS [in]

| H | W | D | F | H1 | A | B | C |
|-----|----|----|----|-----|----|----|----|
| 130 | 64 | 52 | 40 | 100 | 38 | 26 | 23 |

PERFORMANCE CURVES



We reserve the right to make changes without notice



We reserve the right to make changes without notice