

Hydraulic DTM

DTM 85



TECHNICAL SPECIFICATIONS

Hydraulic motor	Radial piston
Displacement [cc]	1240
R.P.M.	30
Power (cont. operation) (kW/HP)	16.7/22.6
Power (inter. operation) (kW/HP)	18/24.5
Capacity (l/min)	40
Pressure (cont. operation) (bar)	250
Pressure (inter. operation) (bar)	270
Torque (cont. operation) (Nm)	4900
Torque (inter. operation) (Nm)	5300
Additional Weight (kg)	350

MATERIALS

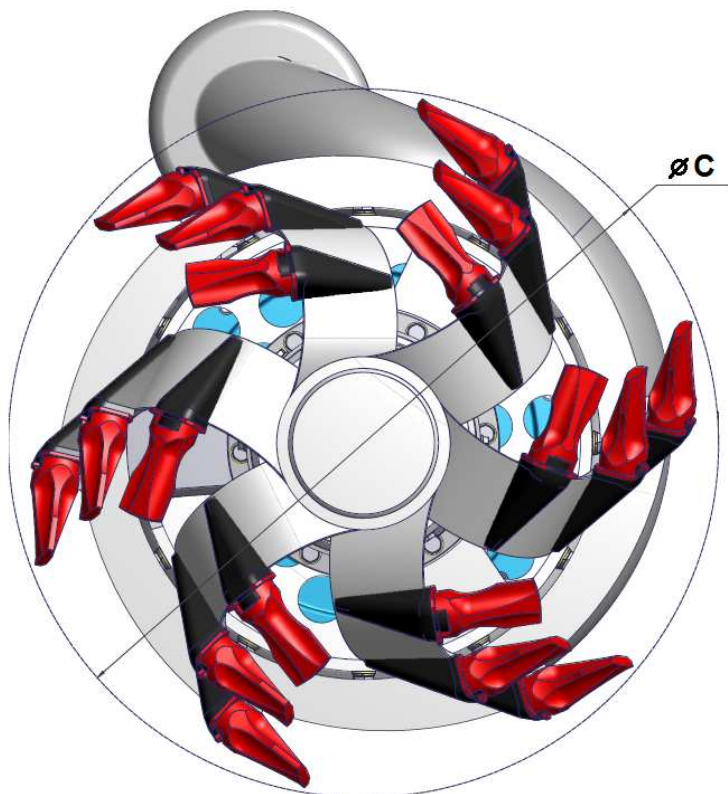
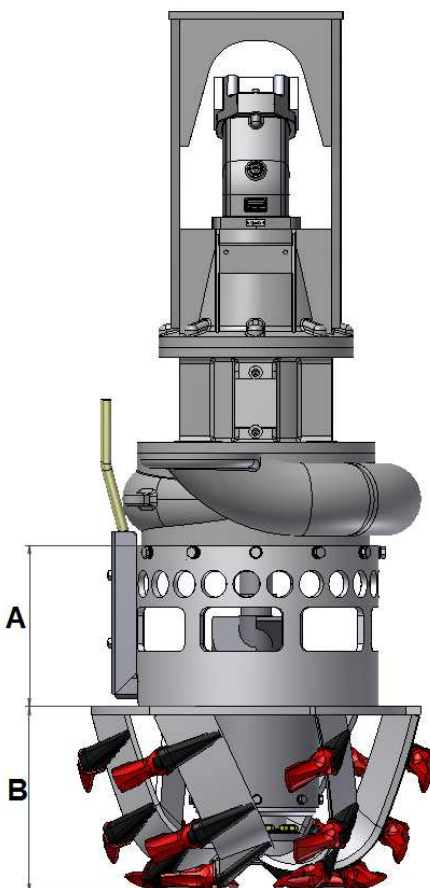
Tooth system materials	Harder and tougher alloy steel
------------------------	--------------------------------

LUBRICANT

Hydraulic Oil specifications	Viscosity from 20 to 60 cSt
------------------------------	-----------------------------

DIMENSIONS [mm]

A	B	φC
378	438	900



DRAGFLOW
DREDGING • MINING • INDUSTRY

www.dragflow.it