

Electric pump

EL1204A/B

| PUMP SPECIFICATIONS | Mod. A | Mod. B |
|---------------------------------|---------------------|------------|
| Capacity [m ³ /h] | 200 | 400 |
| Head [m] | 47 | 37 |
| Impeller diameter [mm]/type | 400/3 blades closed | |
| Flanged bore size [DN.../PN...] | DN150/PN10 | DN200/PN10 |
| Cross section diameter [mm] | 60 | |
| Weight (without cable) [kg] | 1200 | 1220 |

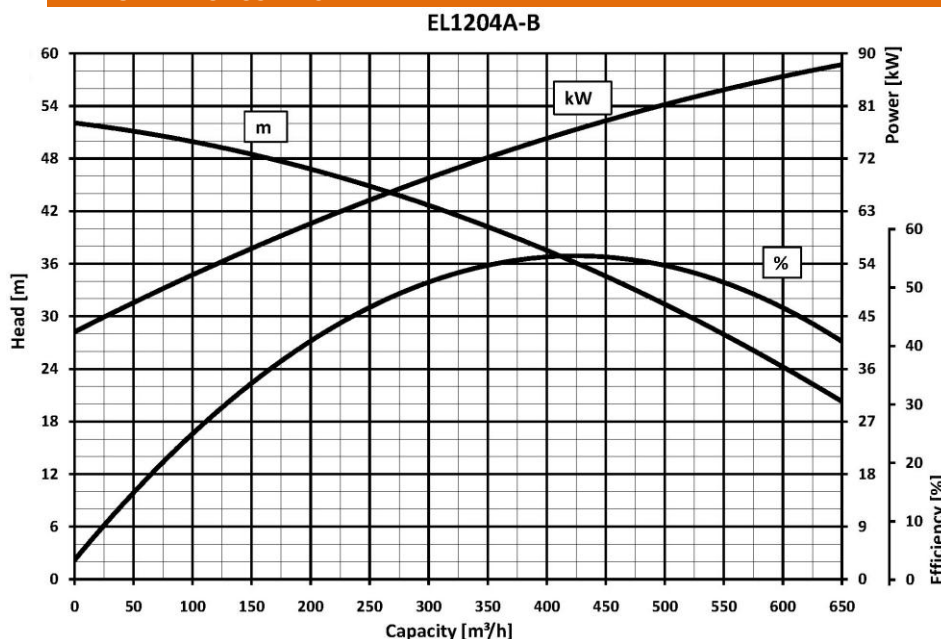
| ELECTRIC MOTOR | |
|--------------------------------|--------------|
| Power [kW-HP] | 90-120 |
| Voltage [V]/Current [A] | 400/158 |
| Phases/Poles/Frequency [Hz] | 3/4/50 |
| Speed [RPM] | 1450 |
| Insulation class | H |
| Power cable 20m (IEC 60245- 4) | H07RN-F 4G35 |

| MATERIALS | |
|---------------|---|
| Casing | Spheroidal cast iron EN-GJS-500-7 (EN 1563) |
| Motor housing | Cast iron EN-GJL-250 (EN 1561) |
| Wear parts | High chrome EN-GJN-HV600 (XCr18) (EN 12513) |
| Main shaft | High tensile steel 39NiCrMo3 (AISI 9840) |

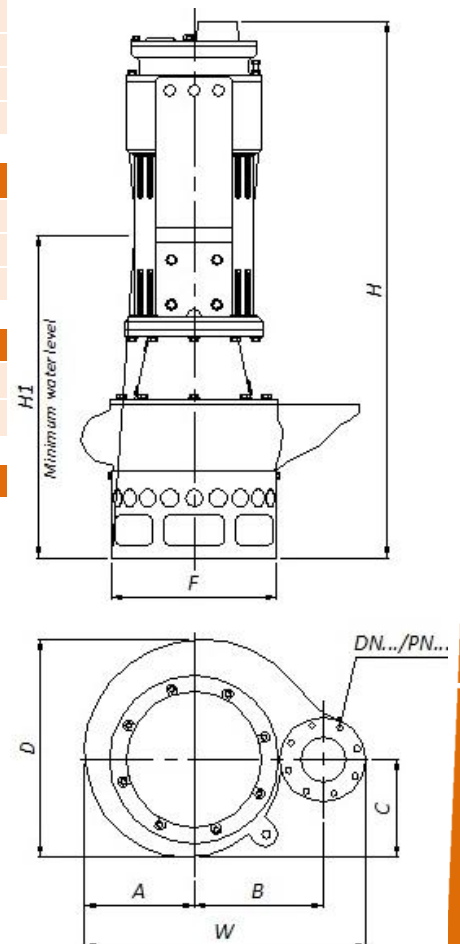
| SEALS / LUBRICANT | |
|---------------------|--|
| Motor side seals | 2 lip seals (BUNA) |
| Impeller side seals | 5 lip seals (3 BUNA + 2 PTFE) + 1 V-RING (TPU) |
| Oil type | ISO 320 |

| DIMENSIONS [mm] | | | | | | | |
|-----------------|-----|-----|-----|------|-----|-----|-----|
| H | W | D | F | H1 | A | B | C |
| 1610 | 935 | 725 | 545 | 1055 | 365 | 430 | 325 |

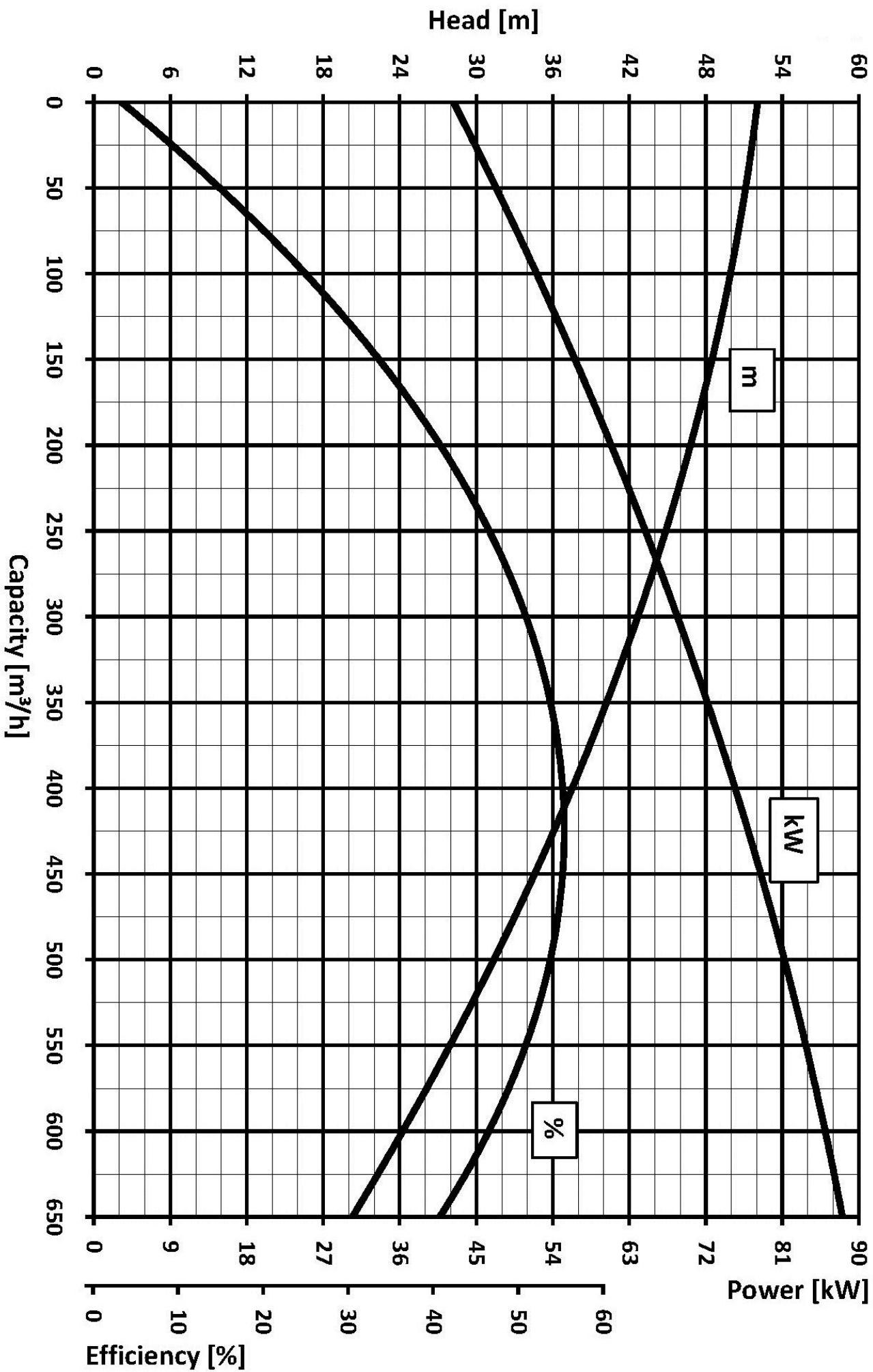
PERFORMANCE CURVES



We reserve the right to make changes without notice



EL1204A-B



We reserve the right to make changes without notice