

# Electric pump

## EL180A/B

PUMP SPECIFICATIONS	Mod. A	Mod. B
Capacity [m <sup>3</sup> /h - (USGPM)]	300 - (1320)	450 - (1980)
Head [m - (ft)]	41 - (132.4)	36 - (116)
Impeller diameter [mm - (in)]/type	475 - (19)/2 blades closed	
Flanged bore size [DN.../PN... - (in)]	DN200/PN10 - (8)	DN250/PN16 - (10)
Cross section diameter [mm - (in)]	60 - (2.4)	
Weight (without cable) [kg - (lbs)]	2700 - (5940)	2750 - (6050)

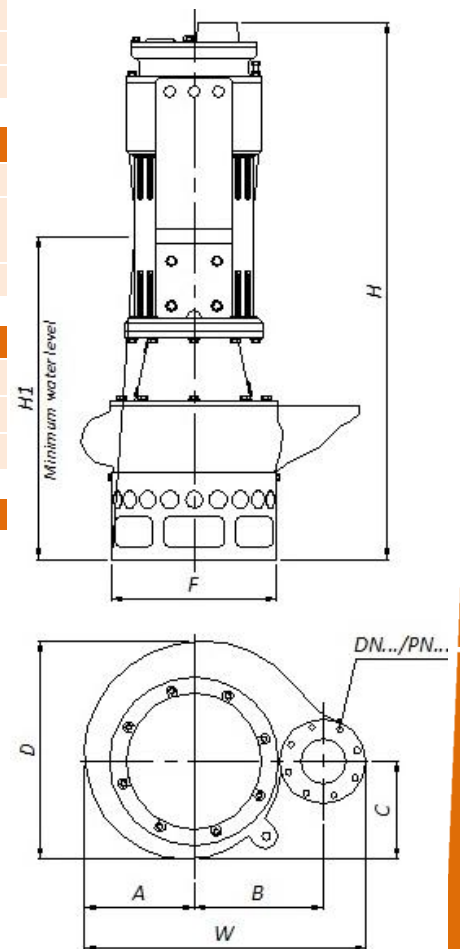
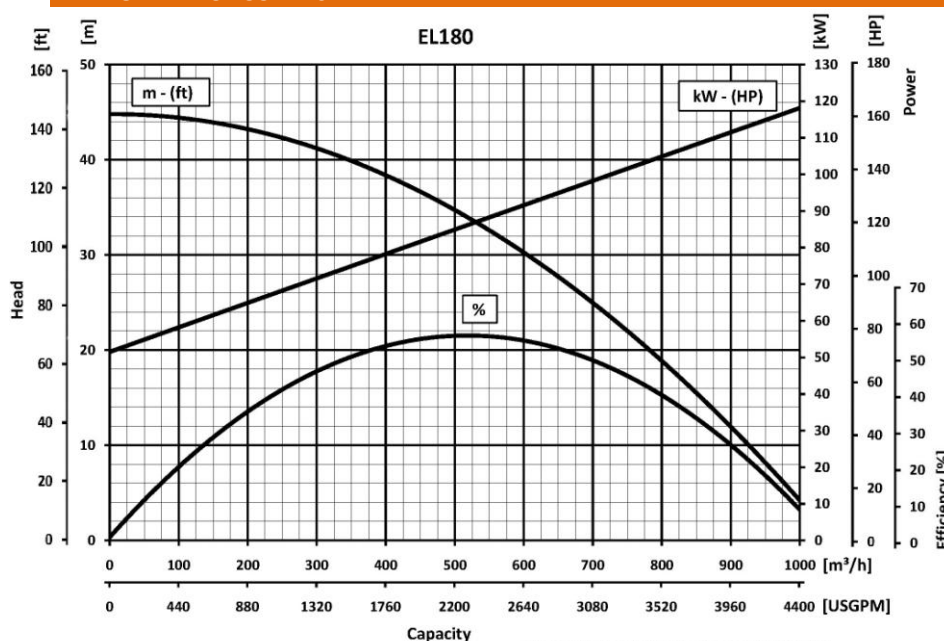
ELECTRIC MOTOR	
Power [kW-HP]	130-180
Voltage [V]/Current [A]	460/199
Phases/Poles/Frequency [Hz]	3/6/60
Speed [RPM]	1180
Insulation class	H
Power cable 20m (IEC 60245- 4)	H07RN-F 4G95

MATERIALS	
Casing	Spheroidal cast iron EN-GJS-500-7 (EN 1563)
Motor housing	Cast iron EN-GJL-250 (EN 1561)
Wear parts	High chrome EN-GJN-HV600 (XCr18) (EN 12513)
Main shaft	High tensile steel 39NiCrMo3 (AISI 9840)

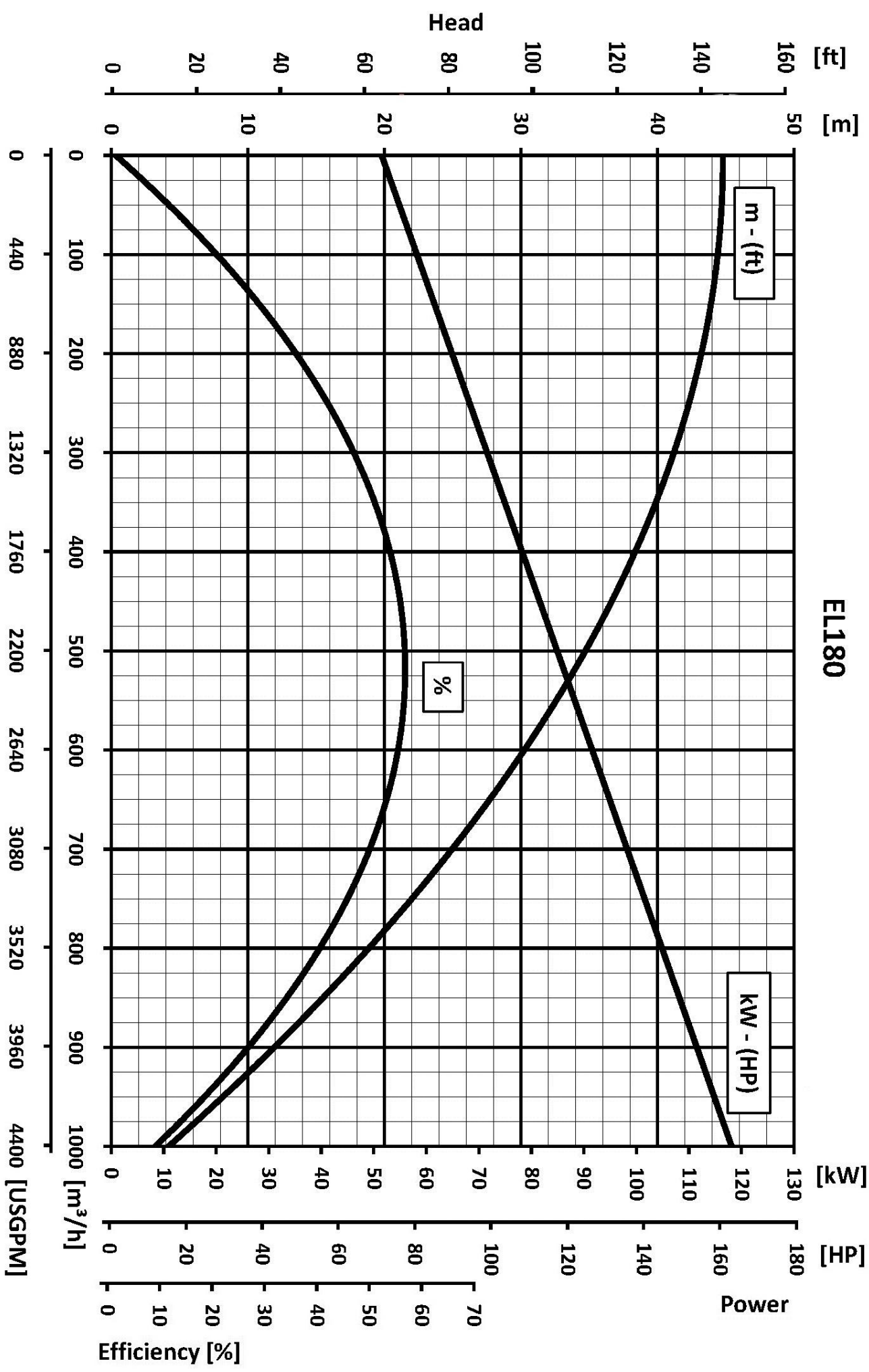
SEALS / LUBRICANT	
Motor side seals	1 mechanical seal (silicon carbide in oil bath)
Impeller side seals	1 mechanical seal (silicon carbide in oil bath) + 2 lip seal (1 BUNA + 1 TPU)
Oil type	ISO 320

DIMENSIONS [mm - (in)]							
H	W	D	F	H1	A	B	C
2150	1260	1080	765	1800	500	590	520
(86)	(50.4)	(43.2)	(30.6)	(72)	(20)	(23.6)	(20.8)

### PERFORMANCE CURVES



# EL180



We reserve the right to make changes without notice