

Electric pump

EL60SHC

PUMP SPECIFICATIONS

Capacity [m ³ /h - (USGPM)]	720 - (3168)
Head [m - (ft)]	5 - (16)
Impeller diameter [mm - (in)]/type	360 - (14)/3 blades closed
Flanged bore size [DN.../PN... - (in)]	DN250/PN10 - (10)
Cross section diameter [mm - (in)]	90 - (3.6)
Weight (without cable) [kg - (lbs)]	1300 - (2860)

ELECTRIC MOTOR

Power [kW-HP]	60-80
Voltage [V]/Current [A]	460/132,2
Phases/Poles/Frequency [Hz]	3/6/60
Speed [RPM]	1180
Insulationclass	H
Power cable 20m (IEC 60245- 4)	H07RN-F 4G35

MATERIALS

Casing	Spheroidal cast iron EN-GJS-500-7 (EN 1563)
Motor housing	Cast iron EN-GJL-250 (EN 1561)
Wear parts	High chrome EN-GJN-HV600 (XCr18) (EN 12513)
Main shaft	High tensile steel 39NiCrMo3 (AISI 9840)

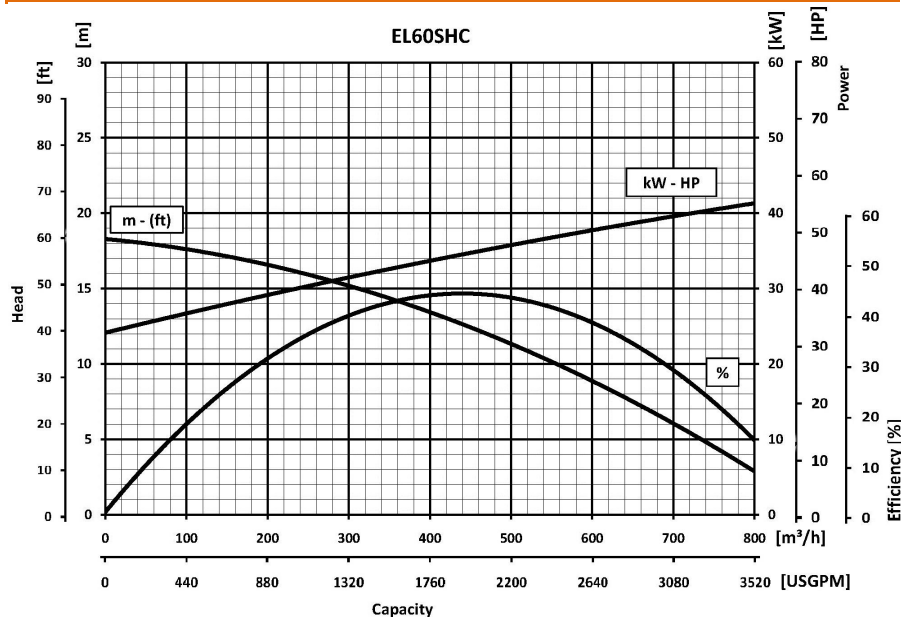
SEALS / LUBRICANT

Motor side seals	2 lip seals (BUNA)
Impeller side seals	3 lip seals (BUNA) + 1 V-RING (TPU)
Oil type	ISO 320

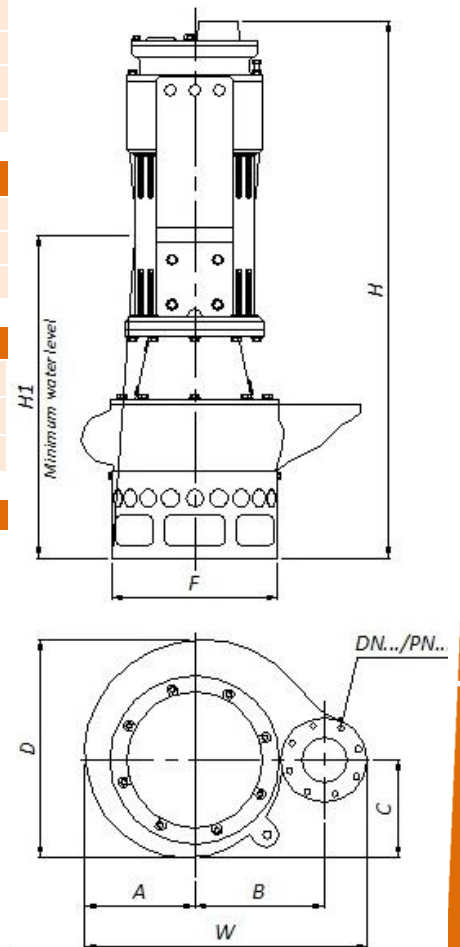
DIMENSIONS [mm - (in)]

H	W	D	F	H1	A	B	C
1660	935	1000	545	995	470	480	450
(66.4)	(37.4)	(40)	(21.8)	(39.8)	(18.8)	(19.2)	(18)

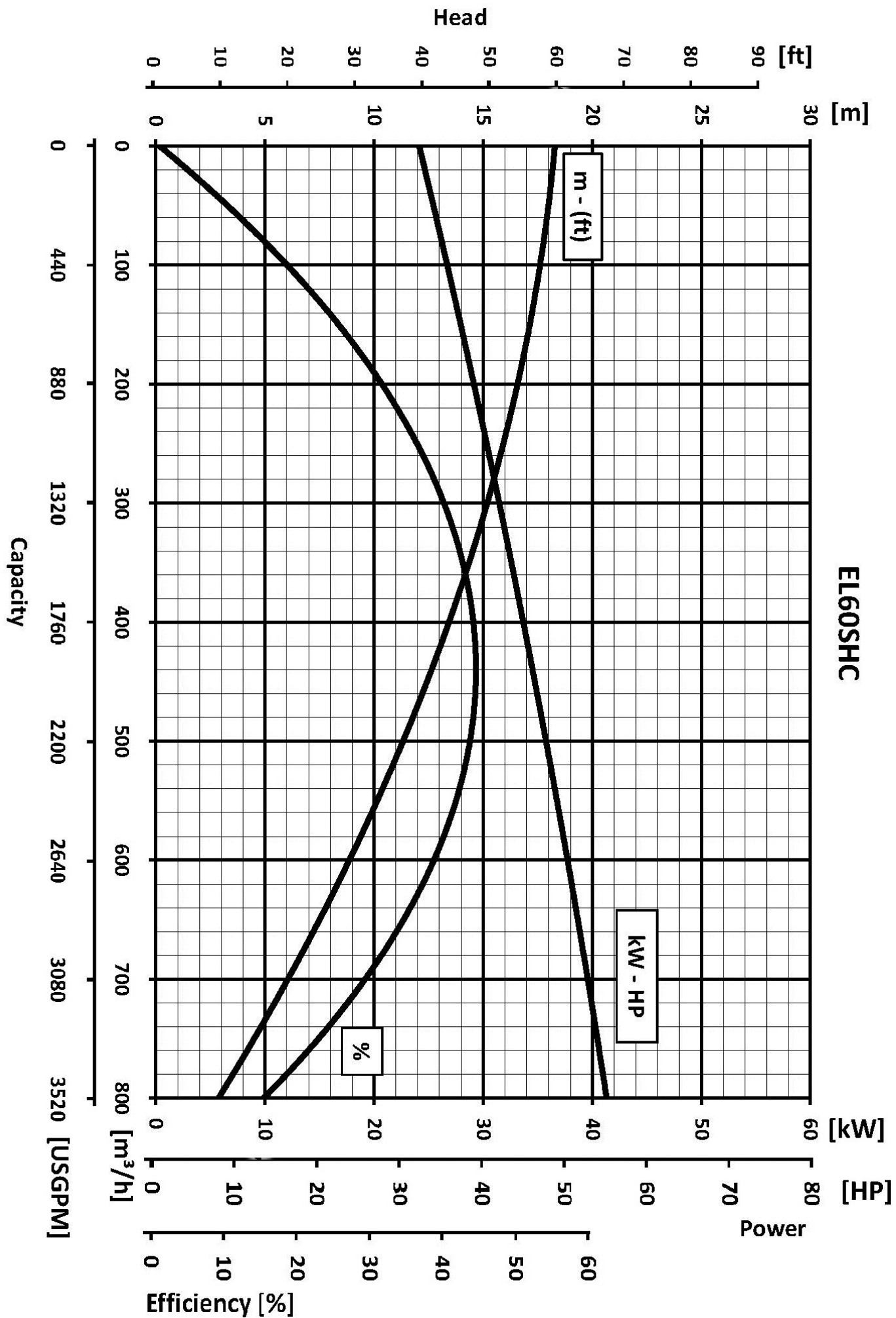
PERFORMANCE CURVES



We reserve the right to make changes without notice



EL60SHC



We reserve the right to make changes without notice